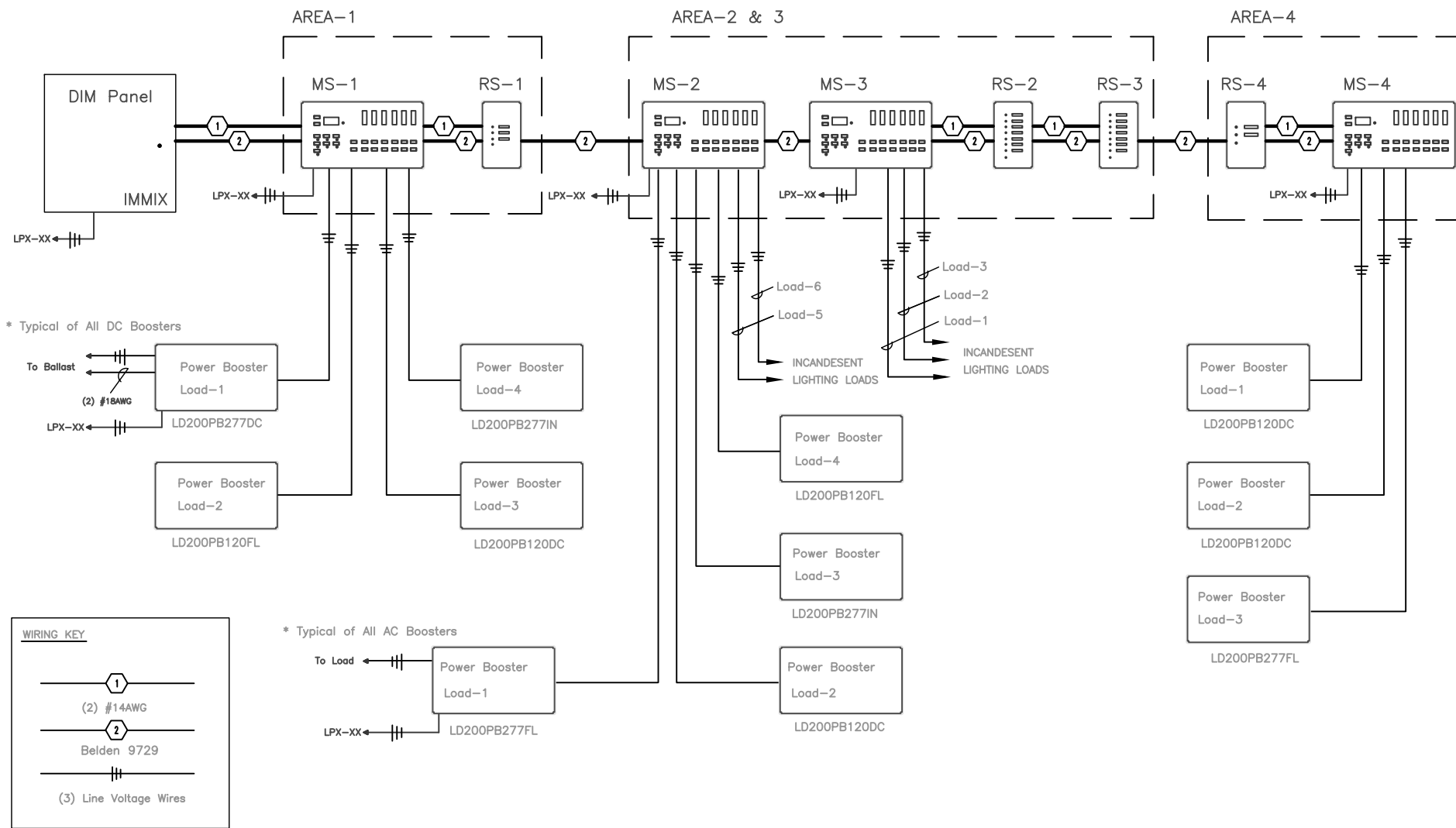
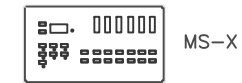


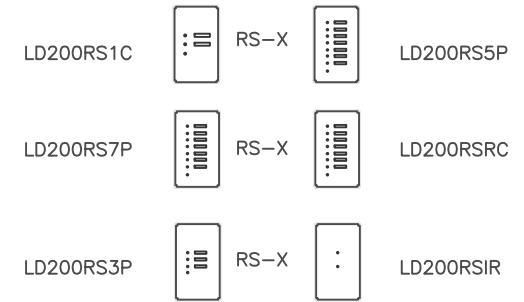
# 1 IMMIX Dimming System



### Master Station \*



### Remote Stations \*



### Power Boosters \*

- LD200PB120DC DC CONTROLLED 120VAC FLUORESCENT
- LD200PB120FL AC CONTROLLED 120VAC FLUORESCENT
- LD200PB120ND AC CONTROLLED 120VAC NONDIM
- LD200PB120IN AC CONTROLLED 120VAC INCANDESCENT
- LD200PB277DC DC CONTROLLED 277VAC FLUORESCENT
- LD200PB277FL AC CONTROLLED 277VAC FLUORESCENT
- LD200PB277ND AC CONTROLLED 277VAC NONDIM
- LD200PB277IN AC CONTROLLED 277VAC INCANDESCENT

\* REFER TO IMMIX INSTALL GUIDE FOR DETAILS

- Notes:**
- The IMMIX network requires Belden #9729 (2 shielded pair) plus 2 #14 AWG wires for low voltage power.
  - Maximum Distance: 500' (152.4 Meters) from LD200DIM to farthest station.



1800 Sandy Plains Ind. Pkwy., Suite 216  
 Marietta, Georgia 30066  
 Ph: 770-790-4880 Fax: 770-790-4883  
<http://www.BRTINT.com>

Project: IMMIX SYSTEM ONE-LINE

Engineered by: CCJ  
 Drawn by: CCJ  
 Checked by: RP

Date: 06/02/2010

Rev.	Date	By	Description

Sheet  
 IMMIX\_ONEL\_PW\_AC